

# SL SERIES

HARMONY OF  
TODAY AND FUTURE



**PILOTCAR**  
ELECTRIC VEHICLES



Electric Vehicles are  
NO LONGER OUR FUTURE,  
THEY ARE OUR PRESENT

IN ORDER  
TO INHERIT

**WHAT WE  
INHERITED  
FROM  
NATURE...**



*As PILOT CAR, we are proud of producing Turkey's first electric utility vehicles on this road we embarked on in 2011 and our initiatives that opened up to the world, while challenging our imagination to transform the world into a more beautiful place.*

We think that it is our greatest responsibility to future generations and the world we live in, to make efforts to erase these traces before they reach an irreversible point.

We believe that our motivation to produce positive solutions and our successful initiatives will inspire future generations for a more livable world.

Therefore, we transfer our knowledge and experience to sustainable energy in order to reduce carbon emissions, protect our future and leave a cleaner legacy for future generations.

New ideas and changing needs excite us. Offering environmentally friendly technology and high performance, our vehicles are designed and produced to suit your needs and demands. They will now become an integral part of your daily life.

PC-2 SL

YOUR WAY **PASSION**



# PC-2 SL

---

## EXCLUSIVE FEATURES

**LITHIUM**   
**POWERED**



### ON BOARD CHARGING UNIT

With 110-220 Volt system voltage, recharge within 7-9 hours



### 129 km (80 mi) RANGE

With full charge  
129 km (80 mi) range



### "0" EMISSION

100% electrical,  
environmentally friendly



### REGENERATIVE BRAKING SYSTEM

Increase of efficiency in energy consumption



### SPEED

40 km/h (25 mph)



### AC MOTOR

Clean environment,  
high performance



## INCREASE QUALITY OF YOUR LIFE

We follow your passion for designing it.

Enhanced grip, ergonomic designing it. Enhanced grip, elegant design as well as easy access to spare parts and maintenance.





DESIGNED SPECIFICALLY FOR YOUR NEEDS,  
GIVES YOU A SMOOTH RIDE.





YOUR WAY  
**COMFORT**



## ECO-FRIENDLY

The combination of luxury and comfort combined with its eco-friendly attitude will make your life easy.

PC-2 SL offers flexibility in your daily and social life in crowded cities.





100% ELECTRICAL- ECO FRIENDLY - "0" EMISSIONS



YOUR WAY

**FREEDOM**



## FREEDOM IN THE CITY

Our reason for existence; "technological design" and "sustainability" in business and city life.

We thought of your comfort and needs with a perfectionist engineering, safe and quality design and technology. You will feel the freedom in the city.





YOUR WAY  
**PROFESSIONALISM**

## A CENTER OF INTEREST

PC-2 SL doesn't pollute environment while touring around city.  
It offers you a range up to 86 km (53 mi). Live your life with less impact on environment.



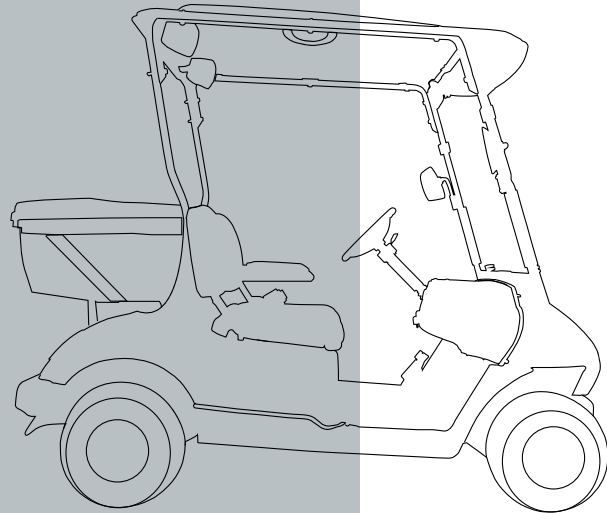


ALL EYES WILL BE ON YOU



# PC-2 SL

Vehicle Category & EU Type Approval Number  
L6e-A & e13\*168/2013\*00589\*00



## POWER

ELECTRIC-48 V (AC)



**Motor Power** **AC**  
4 kW (5.44 hp) Rated  
9.60 kW (13 hp) Peak

**Battery**  
- Lead-Acid Battery Package 6x8V (11.5 kWh)  
- Lithium Battery Package(10.5 kWh)

**Charge Unit**  
**Lead-Acid Battery Package**  
DELTA-Q QuiQ 1000 Onboard Charge Unit  
w/auxillary charge indicator 110-220 VAC@18A/48V  
**Lithium Battery Package**  
3.3 kW Onboard Charger 85-265 VAC@40A/48V

**Motor Control Unit** CURTIS (350 A)

## STEERING & SUSPENSION SYSTEM



**Steering** Self-compensating double reduction helical rack-and-pinion

**Suspension Front** Fully independent McPherson style strut suspension

**Suspension Rear** Semi independent, swing arm with coil springs over hydraulic shock absorbers

## BRAKE SYSTEM



**Service Brake** 4-wheel hydraulic drum brake system and regenerative braking

**Parking Brake** Electromagnetic parking brake

## BODY & CHASSIS



**Body** Naturally colored Thermoplastic ABS  
White, Midnight Blue, Red, Black, Gray

**Chassis**  
Automotive style steel frame with high corrosion resistance  
Sanding / E-coating / Static Wet Paint

## PERFORMANCE



**Max. Speed** 40 km/h (25 mph)

**Range** **Lead-Acid Battery Package:** 86 km (53 mi)\*  
**Lithium Battery Package:** 129 km (80 mi)\*

**Max. Gradeability** 20%

**Charge Time** **Lead-Acid Battery Package**  
80% - 7 hrs  
100% - 9 hrs  
**Lithium Battery Package**  
80% - 4 hrs  
100% - 6 hrs

**Turning Radius** 3 m (9.80 ft)

\* EU:168/2013

## GENERAL



**Curb Weight** **Lead-Acid Battery Package:** 637 kg (1404.3 lb)\*  
**Lithium Battery Package:** 507 kg\*

**Passenger Capacity** 1+1 Passenger

**Load Capacity** 292 kg (643.7 lb)

**Tyre Dimensions** 20.5 x 8-10 (6 ply)

\*Standart Vehicle w/Batteries

## DIMENSIONS

Standart Vehicle w/o Options



**Length** 2460 mm (96.8 In)

**Width** 1222 mm (48.1 In)

**Height** 1965 mm (77.3 In)

**Wheelbase** 1646 mm (64.8 In)

**Ground Clearance** 140 mm (5.5 In)

## WARRANTY



**Warranty** 2 years full warranty (Less wearable items)  
5 years limited warranty (Motor and motor control unit)

YOUR NEW DESTINATION IS **DREAMS**

PC-4SL



# PC-4 SL

---

## EXCLUSIVE FEATURES

**LITHIUM**   
**POWERED**



### ON BOARD CHARGING UNIT

With 110-220 Volt system voltage, recharge within 4-6 hours



### 89 km (55,3 mi) RANGE

With full charge  
89 km (55,3 mi) range



### "0" EMISSION

100% electrical,  
environmentally friendly



### REGENERATIVE BRAKING SYSTEM

Increase of efficiency in  
energy consumption



### SPEED

50 km/h (32 mph)



### AC MOTOR

Clean environment,  
high performance

## SOME DREAMS DESERVE TO COME TRUE

You are where your dreams come true with the dynamic and stylish PC-4 SL.  
Sit back on the road to your dreams and enjoy the comfort only offered to you.





BRING EXCELLENCE INTO YOUR LIFE





**A TIMELESS**  
DISCOVERY

## READY TO ADD COLOR TO YOUR LIFE

Are you ready to embark on a timeless and epic journey?

The PC-4 SL will add color to your driving pleasure with its 4-person passenger capacity, impressive design and four different color options that make room for 2 more people for entertainment.





GOING OVER THE BOUNDARIES IS IN ITS SPIRIT!





**LET YOUR  
PASSION**

**FOLLOW YOU**

## JOIN THE ENERGY OF CITY

The PC-4 SL is always ready to go.  
With the eco-technology and never-ending energy of the city's new hero, there are many more places to explore.





MORE FUN MORE COMFORT





# CATCH THE FUTURE

ENJOY

## MUCH MORE THAN YOU EXPECT

You never know what surprises the next day will bring.  
The 100% electric PC-4 SL defies the traffic and the restrictions of parking spots with its ergonomic structure.

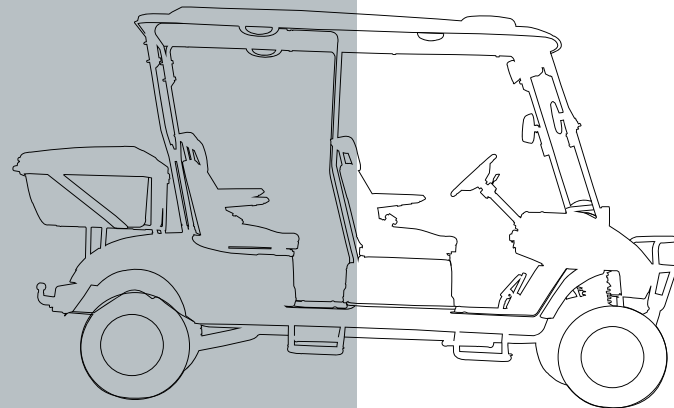
The city is your new playground, are you ready to explore?





# PC-4 SL

Vehicle Category & EU Type Approval Number  
L7e-CP & e13\*168/2013\*01328\*02



## POWER

ELECTRIC-48 V (AC)



<b>Motor Power</b>	<b>AC</b> - 6 kW (8.20 hp) Rated 12.46 kW (16.95 hp) Peak - 10 kW (13.60 hp) Rated 22.43 kW (30.50 hp) Peak
<b>Battery</b>	- Lead-Acid Battery Package 8x6v (11.5 kWh) - Lithium Battery Package (10.5 kWh)
<b>Charge Unit</b>	<b>Lead-Acid Battery Package</b> DELTA-Q QuiQ 1000 Onboard Charge Unit w/auxillary charge indicator 110-220 VAC@18A/48V <b>Lithium Battery Package</b> 3.3 kW Onboard Charger 85-265 VAC@40A/48V
<b>Motor Control Unit</b>	CURTIS 1234SE CURTIS 1236SE

## STEERING & SUSPENSION SYSTEM



<b>Steering</b>	Self-compensating double reduction helical rack-and-pinion
<b>Suspension Front</b>	Fully independent McPherson style strut suspension
<b>Suspension Rear</b>	Semi independent, swing arm with coil springs over hydraulic shock absorbers

## BRAKE SYSTEM



<b>Service Brake</b>	4-wheel hydraulic drum brake system and regenerative braking
<b>Parking Brake</b>	Electromagnetic parking brake

## BODY & CHASSIS



<b>Body</b>	Naturally colored Thermoplastic ABS White, Midnight Blue, Red, Black, Gray
<b>Chassis</b>	Automotive style steel frame with high corrosion resistance Sanding / E-coating / Static Wet Paint

## PERFORMANCE



<b>Max. Speed</b>	50 km/h (32mph)
<b>Range</b>	<b>Lead-Acid Battery Package:</b> 73 km (45.3 mi)* <b>Lithium Battery Package:</b> 89 km (55.3 mi)*
<b>Max. Gradeability</b>	20%
<b>Charge Time</b>	<b>Lead-Acid Battery Package</b> 80% - 7 hrs 100% - 9 hrs <b>Lithium Battery Package</b> 80% - 4 hrs 100% - 6 hrs
<b>Turning Radius</b>	4.3 m (14,1 ft)

\* EU:168/2013

## GENERAL



<b>Curb Weight</b>	<b>Lead-Acid Battery Package:</b> 700 kg (1543,2 lb)* <b>Lithium Battery Package:</b> 570 kg (1256,6 lb)*
<b>Passenger Capacity</b>	1+3 Passenger
<b>Load Capacity</b>	600 kg (1322,7 lb)
<b>Tyre Dimensions</b>	20.5 x 8-10 (6 ply) 22 x 9.5-10 Off-Road Tire**

\*Standart Vehicle w/Batteries

\*\*Available only for lifted vehicles

## DIMENSIONS

Standart Vehicle w/o Options



<b>Length</b>	3350 mm (131,8 In)
<b>Width</b>	1226 mm (48,2 In)
<b>Height</b>	1857 mm (73,1 In)
<b>Wheelbase</b>	2460 mm (96,8 In)
<b>Ground Clearance</b>	140 mm (5,5 In)

## WARRANTY



<b>Warranty</b>	2 years full warranty (Less wearable items) 5 years limited warranty (Motor and motor control unit)
-----------------	--

# PC-W SL

---

## EXCLUSIVE FEATURES

**LITHIUM**   
**POWERED**



### ON BOARD CHARGING UNIT

With 110-220 Volt system voltage, recharge within 4-6 hours



### 65 km (40,3 mi) RANGE

With full charge  
65 km (40,3 mi) range



### "0" EMISSION

100% electrical,  
environmentally friendly



### REGENERATIVE BRAKING SYSTEM

Increase of efficiency in energy consumption



### SPEED

50 km/h (32 mph)

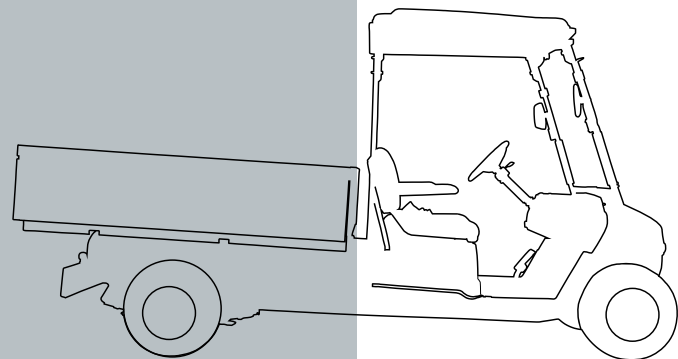


### AC MOTOR

Clean environment,  
high performance

# PC-W SL

Vehicle Category & EU Type Approval Number  
L7e-CU & e13\*168/2013\*02158\*00



## POWER

ELECTRIC-48 V (AC)



<b>Motor Power</b>	<b>AC</b> - 6 kW (8.20 hp) Rated 12.46 kW (16.95 hp) Peak - 10 kW (13.60 hp) Rated 22.43 kW (30.50 hp) Peak
<b>Battery</b>	- Lead-Acid Battery Package 8x6v (11.52 kWh) - Lithium Battery Package (10.5 kWh) - Lithium Battery Package (5.4 kWh)
<b>Charge Unit</b>	<b>Lead-Acid Battery Package</b> DELTA-Q QuiQ 1000 Onboard Charge Unit w/auxillary charge indicator 110-220 VAC@18A/48V <b>Lithium Battery Package</b> 3.3 kW Onboard Charger 85-265 VAC@40A/48V
<b>Motor Control Unit</b>	CURTIS 1234SE CURTIS 1236SE

## STEERING & SUSPENSION SYSTEM



<b>Steering</b>	Self-compensating double reduction helical rack-and-pinion
<b>Suspension Front</b>	Fully independent McPherson style strut suspension
<b>Suspension Rear</b>	Leaf springs w/dual hydraulic shocks

## BRAKE SYSTEM



<b>Service Brake</b>	4-wheel hydraulic drum brake system and regenerative braking
<b>Parking Brake</b>	Electromagnetic parking brake

## BODY & CHASSIS



<b>Body</b>	Naturally colored Thermoplastic ABS White, Midnight Blue, Red, Black, Gray
<b>Chassis</b>	Automotive style steel frame with high corrosion resistance Sanding / E-coating / Static Wet Paint

## PERFORMANCE



<b>Max. Speed</b>	50 km/h (32mph)
<b>Range</b>	<b>Lead-Acid Battery Package:</b> 65 km (40.3 mi) * <b>Lithium Battery Package (10.5 kWh):</b> 65 km (40.3 mi) * <b>Lithium Battery Package (5.4 kWh):</b> 41 km (25.4 mi)*
<b>Max. Gradeability</b>	20%
<b>Charge Time</b>	<b>Lead-Acid Battery Package</b> 80% - 7 hrs   100% - 9 hrs <b>Lithium Battery Package (10.5 kWh)</b> 80% - 4 hrs   100% - 6 hrs <b>Lithium Battery Package (5.4 kWh)</b> 80% - 2 hrs   100% - 3 hrs
<b>Turning Radius</b>	4.3 m (14,1 ft)

\* EU:168/2013

## GENERAL



<b>Curb Weight</b>	<b>Lead-Acid Battery Package:</b> 661 kg (1457,2 lb) * <b>Lithium Battery Package (10.5 kWh):</b> 526 kg (1159,6 lb) * <b>Lithium Battery Package (5.4 kWh):</b> 476 kg (1049,4 lb) *
<b>Passenger Capacity</b>	1+1 Passenger
<b>Load Capacity</b>	485 kg (1069,2 lb)
<b>Tyre Dimensions</b>	20.5 x 8-10 (6 ply) 22 x 9.5-10 Off-Road Tire**

\*Standart Vehicle w/Batteries

\*\*Available only for lifted vehicles

## DIMENSIONS

Standart Vehicle w/o Options



<b>Length</b>	3640 mm (143.3 In)
<b>Width</b>	1225 mm (48.2 In)
<b>Height</b>	1950 mm (76.7 In)
<b>Wheelbase</b>	2500 mm (98.4 In)
<b>Ground Clearance</b>	143 mm (5.6 In)

## WARRANTY



<b>Warranty</b>	2 years full warranty (Less wearable items) 5 years limited warranty (Motor and motor control unit)
-----------------	--

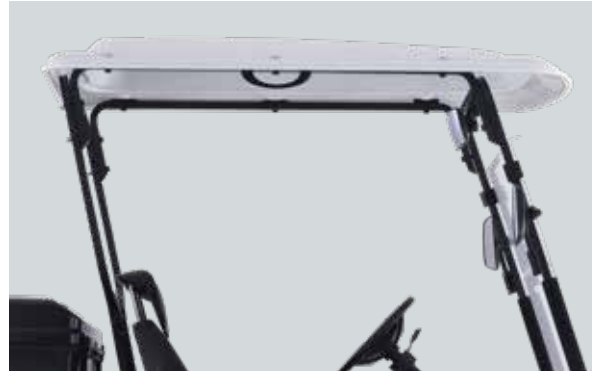
# EQUIPMENT & OPTIONS

---

BODY - TECHNOLOGY & SAFETY



# BODY



Suntop



Security Glass Windshield



Windshield Wiper



Side View Mirrors



Sport Steering Wheel



Thermoplastic Cargo Box

## STANDARD



Aluminum Cargo Box \*



Side Step \*

## TYRES & WHEELS



Lift Kit \*



Off-Road Tyres & Wheels \*

## OPTION

\* PC-4 SL Option

# TECHNOLOGY & SAFETY



Halogen Driving Lights



Digital Vehicle-Info Screen



Speed and Torque Mode

## TYRES & WHEELS



USB 12V Input



Charger with External Display



On-road Tyres & 10" Aluminum Wheels

## SEAT



Premium Seat - Tobacco Colored



Premium Seat - Carbon Black



Premium Seat - Claret Red



LED Driving Lights



Automatic Battery Watering System



Lithium Battery \*

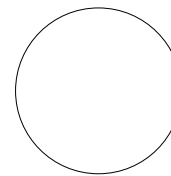


Rear-View Camera \*

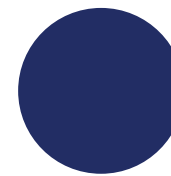


\* PC-4 SL Option

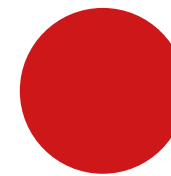
## COLOR OPTIONS



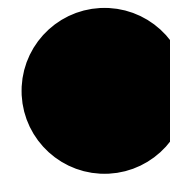
White



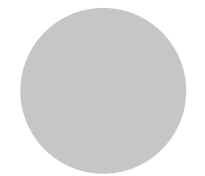
Midnight Blue



Red



Black



Gray

## STANDARD

## OPTION





## OUR INNOVATIONS TURNS INTO OUR HABITS

If you are to add innovation to your life, all the details of it should be thought out and well designed.

Every PILOT CAR vehicle that we have been producing since 2011 is manufactured on the basis of high technology, advanced technical integrated production, care and precision.

To offer you comfort and unsurpassed quality as a work of perfectionist technology...

**THAT'S WHAT PILOT CAR WAS MADE FOR!**

## WARRANTY



5 year warranty on motor and control unit



2 year full warranty



## INFORMATION

\*\*\* This catalog is for informational purposes only. The information provided herein can be changed without prior notice.

## TRUST



ISO 14001:2015  
ISO 9001:2015  
ISO 45001:2015

## AUTHORIZED SERVICES



For our dealer distribution channels and authorized services:

[www.pilotcar.com.tr](http://www.pilotcar.com.tr)



Our 24/7 team of experts is there for you if necessary!





**PILOT CAR**  
ELECTRIC VEHICLES

**FACTORY IN TÜRKİYE**

Telephone: +90 224 411 02 86 – 87 Fax: +90 224 411 05 34  
Address: Işıktepe OSB Mah. Eflatun Cad. No: 8 Nilüfer / BURSA-TÜRKİYE  
PK: 16215  
e-mail: info@pilotcar.com.tr

**USA WAREHOUSE & OFFICE**

Telephone: +1 (239) 243 80 23 Fax: +1 (239) 349 26 10  
Address: 6293 Thomas Rd. Fort Myers FL 33912, USA  
e-mail: sales@pilotcarev.com

[www.pilotcar.com.tr](http://www.pilotcar.com.tr)