



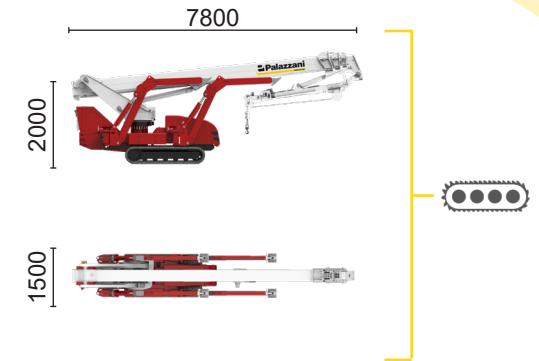
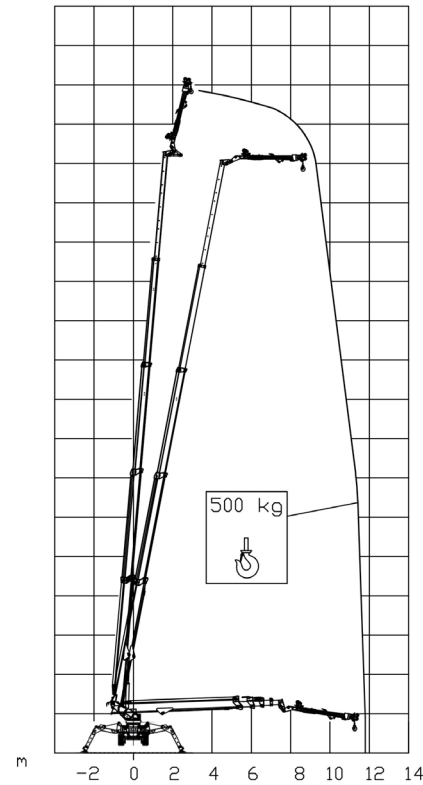
**BI-ENERGY**



Diesel  
18,2 kW



Inverter actuated  
Single-phase  
Electric motor  
230 VAC - 3 kW  
or  
Three-phase  
Electric motor  
400 VAC - 5,5 kW



TSJ 35.1/C		33,7 m	11,8 m	500 kg	660°	180x70 cm	90°+80°	2,68-5,26 m	23%	36%	1,8 km/h	7100 kg	47 kN	2,44 kN/m <sup>2</sup>	5,06 kN/m <sup>2</sup>
------------	--	--------	--------	--------	------	-----------	---------	-------------	-----	-----	----------	---------	-------	------------------------	------------------------

Available power options:

**ECO** (AC+BATTERY)

**HYBRID<sup>2</sup>** (DIESEL+AC+BATTERY)

The technical data may deviate +/- 3% from the specified values.

Characteristics and technical data are informative only and subjected to change without notice.

Palazzani Industrie S.p.A.

Via del Pavione, 4 - 25050 - Paderno F.C. (BS) - Italy

Tel. (+39) 0306857073

info@palazzani.it

www.palazzani.it



NC 921 A 24